

Ref#	Description	Qty	Part#	Ref#	Description	Qty	Part#
<u>1</u>	SIDE COVER	2	225664	<u>89</u>	HIGH VOLTAGE DECAL	3	172258
<u>2</u>	COVER SCREW	6	cc1065	<u>92</u>	UPRIGHT CAP	2	cc1019
<u>3</u>	CENTER ISOLATOR	4	174573	<u>94</u>	CONSOLE PLATE SCREW	4	171229
<u>5</u>	PLASTIC INSERT	18	169265	<u>96</u>	TOP BASE BOLT	4	gz1009-04
<u>6</u>	BELT GUIDE	2	177762	<u>98</u>	PULSE SENSOR	4	172459
<u>7</u>	BELT GUIDE SPACER	2	014126	<u>99</u>	PULSE SENSOR SCREW	4	123883
<u>8</u>	BELT GUIDE BOLT	2	128643	<u>100</u>	PULSE SENSOR BASE	4	cc3105
<u>9</u>	FRONT ISOLATOR	2	175165	<u>101</u>	GRIP	2	cc1069
<u>10</u>	RR WALKING PLATFORM BOLT	4	cc1063	<u>103</u>	HANDRAIL	1	cc6017
<u>11</u>	LEFT FOOT PAD	1	cc3044	<u>104</u>	HANDRAIL ENDCAP	2	225669
<u>12</u>	RIGHT FOOT PAD	1	cc3043	<u>105</u>	KEY/CLIP	1	171364
<u>13</u>	FRONT ROLLER	1	cc1021	<u>106</u>	ACCESSORY TRAY MTG SCRW	4	cc1040
<u>14</u>	FRONT ROLLER WASHER	2	104478	<u>107</u>	ACCESSORY TRAY SCREW	6	cc1039
<u>16</u>	FRONT COVER SCREW	4	cc1042	<u>108</u>	UPRIGHT BASE PAD	4	126650
<u>17</u>	FRONT COVER	1	225663	<u>109</u>	LEFT ACCESSORY TRAY	1	cc1017
<u>18</u>	WALKING BELT	1	cc3106	<u>110</u>	RIGHT ACCESSORY TRAY	1	cc1018
<u>19</u>	FRONT ROLLER ADJUST BOLT	2	cc1034	<u>115</u>	PLASTIC CONSOLE FRONT	1	cc1016
<u>20</u>	FR WALKING PLATFORM BOLT	2	cc1062	<u>115</u>	CSAFE CIRCUIT BOARD	1	cc2060
<u>24</u>	PLASTIC PLATFORM SPACER	2	185408	<u>115</u>	CIRCUIT BOARD SCREW	19	cc1027
<u>25</u>	REAR ROLLER GUARD SCREW	2	169661	<u>115</u>	PULSE CIRCUIT BOARD	1	cc2063
<u>27</u>	CAGE NUT	2	169263	<u>115</u>	TOP MEMBRANE	1	cc2006
<u>28</u>	LEFT REAR ENDCAP	1	225667	<u>115</u>	BOTTOM MEMBRANE	1	cc2007
<u>30</u>	REAR ROLLER ADJUST BOLT	2	cc1031	<u>116</u>	CONSOLE SCREW	16	130853
<u>31</u>	REAR ROLLER/PULLEY	1	168138	<u>117</u>	CONSOLE BACK	1	cc1026
<u>32</u>	RIGHT REAR ENDCAP	1	225668	<u>119</u>	INCLINE MOTOR SPACER	1	169060
<u>34</u>	#10 X 1/2" SCREW	2	cc1088	<u>120</u>	#8 X 1/2" SCREW	4	138438
<u>37</u>	HOOD SUPPORT BOLT	4	138289	<u>121</u>	CAUTION DECAL	2	169644
<u>40</u>	FRAME PIVOT BUSHING	2	cc1311	<u>122</u>	HAZARDOUS WARNING DECAL	1	169698
<u>41</u>	FRAME PIVOT BOLT	2	cc1035	<u>123</u>	WARNING DECAL	1	172257
<u>42</u>	DRIVE MOTOR SPACER	4	172711	<u>130</u>	GROUND NUT	2	012152
<u>44</u>	DRIVE MOTOR BOLT	4	194238	<u>133</u>	#8 STAR WASHER	1	014157
<u>46</u>	SPEED SENSOR NUT	2	012135	<u>136</u>	TV CONSOLE FR, PLASTIC	1	cc1024
<u>47</u>	SPEED SENSOR	1	169993	<u>137</u>	TV CONSOLE BACK	1	cc1025
<u>49</u>	SENSOR BRACKET BOLT	2	013316	<u>140</u>	AUDIO JACK	1	cc2030
<u>50</u>	SENSOR BRACKET INSERT	2	169431	#	FLAT CABLE TIE HOLDER	1	116927
<u>51</u>	SPEED DISK	1	172049	#	TECH SHEET ENVELOPE	1	123945

53	<u>DRIVE MOTOR ISOLATOR</u>	1	171173	#	<u>HB UPRT 3/8" STAR WASHER</u>	4	104345
54	<u>TORSION BAR BOLT</u>	2	gz1042-02	#	<u>8" GRNYEL WIRE</u>	2	133459
55	<u>TORSION BAR BUSHING</u>	2	195129	#	<u>7 1/2" WIRE TIE, 50LBS</u>	1	132315
57	<u>BASE FRAME PAD</u>	2	169068	#	<u>1/4" X 1/2" RLR PULY SCRW</u>	4	185159
58	<u>BASE FRAME PAD SCREW</u>	4	gz1012-11	#	<u>12" WIRE HARNESS</u>	1	174784
59	<u>INCLINE LINK BUSHING</u>	4	195128	#	<u>7" FILTER WITH WIRE</u>	1	172736
60	<u>INCLINE LINK BOLT</u>	2	cc1038	#	<u>FERRITE CLAMP</u>	2	184873
61	<u>INCLINE LINK NUT</u>	2	012149	#	<u>#10 X 1/4" DISK SCREW</u>	3	173763
63	<u>ON/OFF CIRCUIT BREAKER</u>	1	138453	#	<u>UPRT NUT INSERT</u>	4	202561
64	<u>POWER CORD BRACKET</u>	1	cc3145	#	<u>#8 X 1/4" NYLON SCREW</u>	6	194747
65	<u>POWER CORD RECEPTACLE</u>	1	184097	#	<u>PULSE WIRE HARNESS</u>	1	cc2029
68	<u>POWER CORD</u>	1	182993	#	<u>PULSE EKG DECAL</u>	1	169741
69	<u>TORSION BAR PIVOT BOLT</u>	1	012056	#	<u>CONSOLE/MATRIX WIRE HRNS</u>	1	cc2062
71	<u>TORSION BAR PIVOT BOLT</u>	1	cc1037	#	<u>4" 14AWG RED WIRE</u>	1	cc2193
72	<u>INCLINE MOTOR BUSHING</u>	6	cc1006	#	<u>4" 14AWG BLACK WIRE</u>	1	cc2194
75	<u>TOP HANDRAIL ENDCAP</u>	2	cc1052	#	<u>4" 12AWG WHITE WIRE</u>	1	cc2192
77	<u>RIGHT HOOD COVER</u>	1	225661	#	<u>#8 X 1 5/8" POWER SCREW</u>	1	cc1124
78	<u>LEFT HOOD COVER</u>	1	225662	#	<u>HARDWARE KIT, NOTE:</u>	1	cc3133
79	<u>WHEEL BOLT</u>	2	cc1036	#	<u>CARDIO-BRD WIRE, 9/14 PIN</u>	1	cc2382
80	<u>HEX NUT</u>	2	139996	#	<u>CARDIO-BRD WIRE, 9 PIN</u>	1	cc2381
81	<u>WHEEL</u>	2	gz1112	#	<u>FR RLR INSERT, W/HOLE</u>	2	275193
83	<u>DRIVE MOTOR FLYWHEEL</u>	1	171171	#	<u>CARDIO BOARD WIRE HARNESS</u>	1	cc2380
87	<u>CNTRLR MOUNTING SCREW</u>	2	102959	#	<u>LITPAC, NOTE:</u>	1	cc9104
87	<u>ELECTRONICS SCREW</u>	6	168158				

Please note: The quantity listed is the total number of that part used on the model. Please order the quantity you need - the quantity can be changed in the shopping cart.

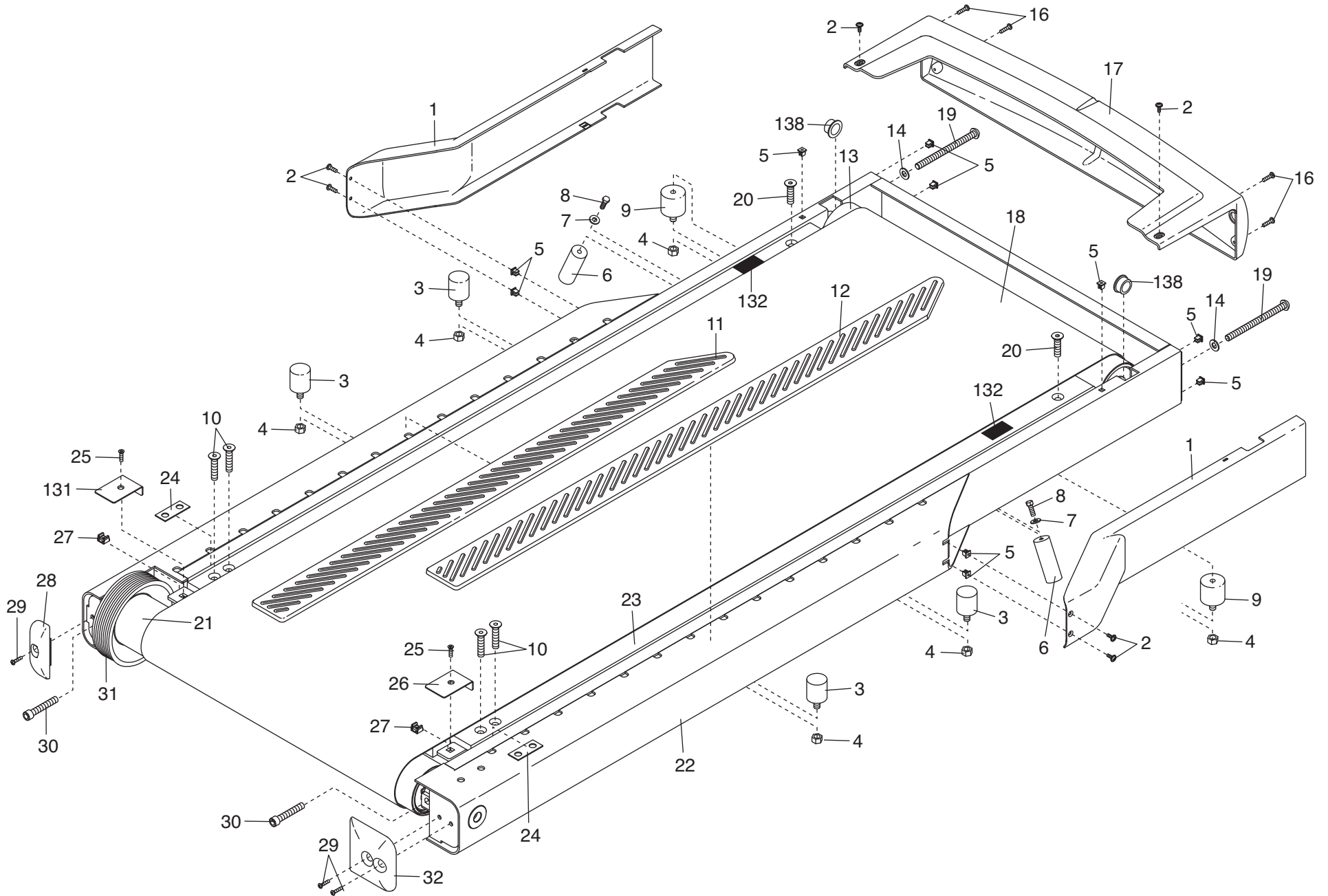
If the part you need is not listed above, please [contact](#) our Customer Service department.

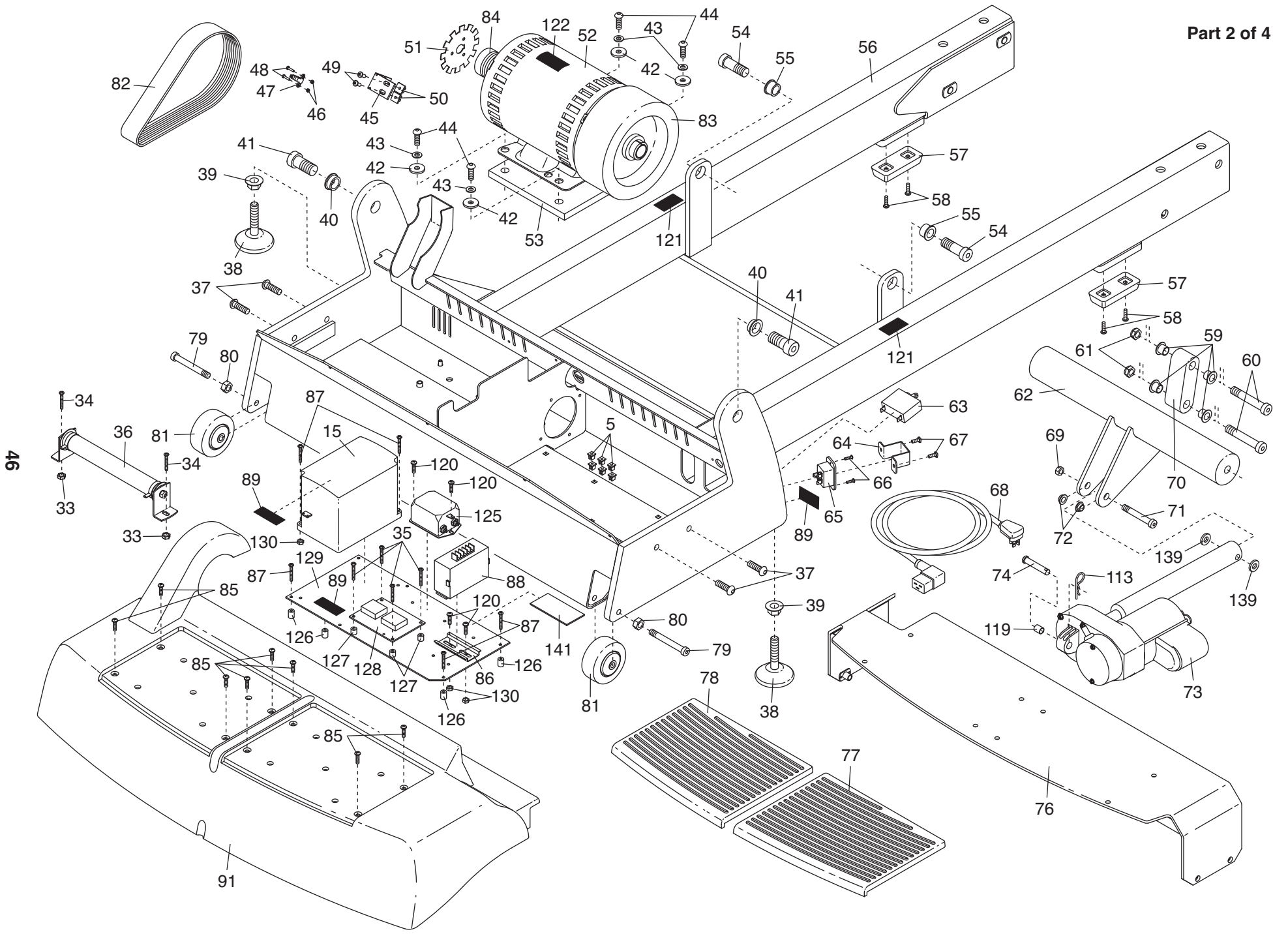
© 2009 ICON Health & Fitness, Inc.

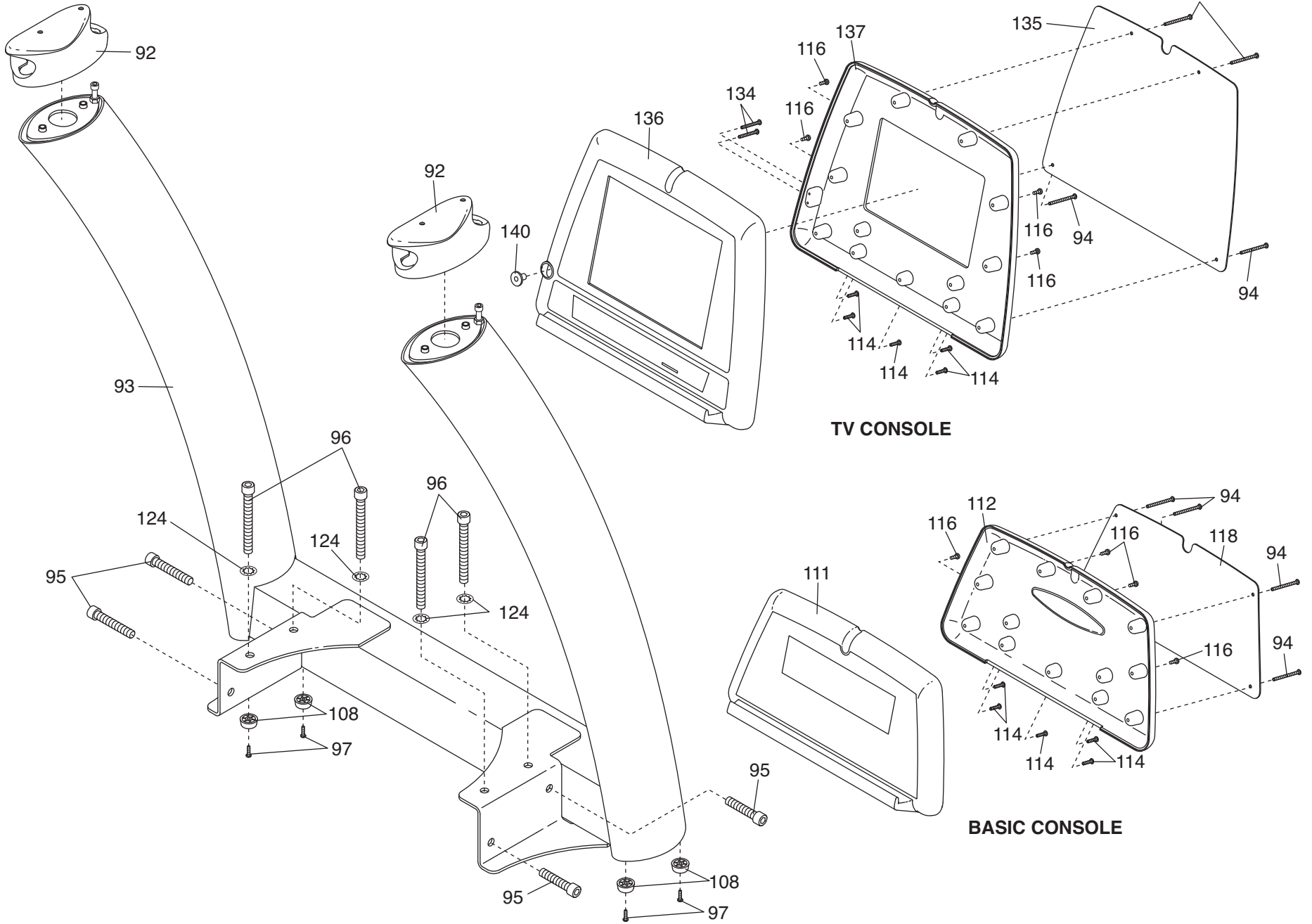
EXPLODED DRAWING

Part 1 of 4

45







TV CONSOLE

BASIC CONSOLE

48

